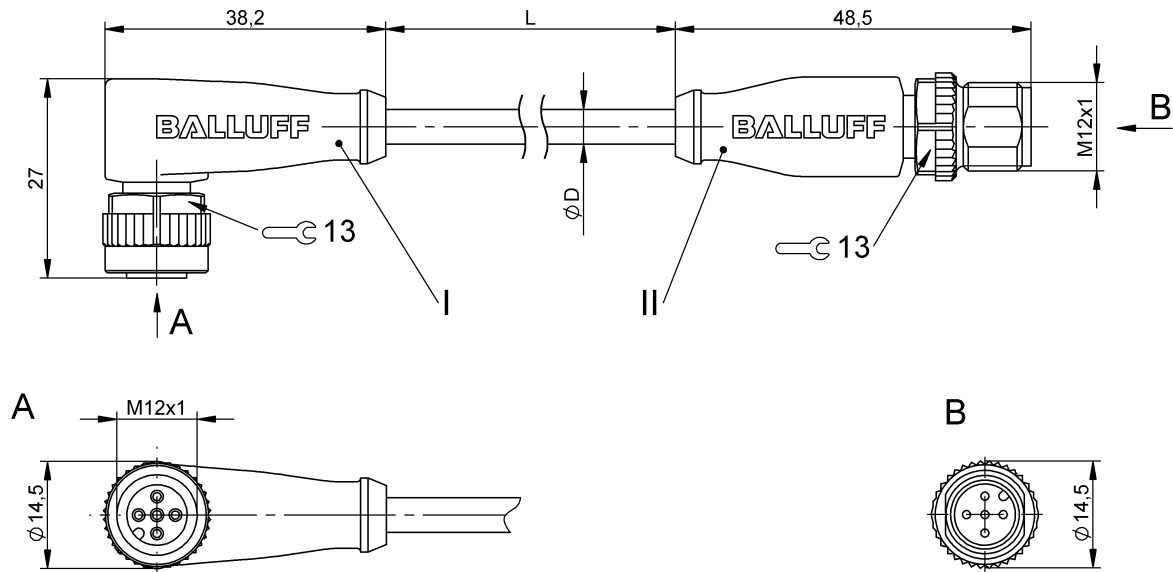


Double-Ended Cordsets
BCC M425-M415-3A-661-PW0534-006
 Order Code: BCC0C0N

BALLUFF



Basic features

Application	Welding area
Approval/Conformity	CE cULus WEEE

Display/Operation

Function indicator (Pin 2)	LED white
Function indicator (Pin 4)	LED yellow
Power indicator	LED green/no

Electrical connection

Bending radius min., fixed cable	5 x D
Bending radius min., flexible cable	10 x D
Cable	PUR welding spark resistant black, 0.6 m, drag chain compatible
Cable diameter D	4.70 mm ±0.10 mm
Cable, bending cycles min.	10 mil.
Cable, torsion stress	±360°/m
Conductor cross-section	0.34 mm ²
Connection 1	M12x1-Female, angled, 5-pin, A- coded
Connection 2	M12x1-Male, straight, 5-pin, A- coded
Number of conductors	5
System	Molded/Molded

Electrical data

Operating voltage U _b	30 VDC
Rated current (40 °C)	4.0 A

Environmental conditions

Cable temperature UL max., fixed routing	80 °C
Cable temperature UL max., flexible routing	80 °C
Cable temperature, drag chain	-25...60 °C
Cable temperature, fixed routing	-50...90 °C
Cable temperature, flexible routing	-25...90 °C
IP rating	IP67, IP68, IP69K/IP67, IP68, IP69K

Interface

Switching output	PNP NO/NC antivalent
------------------	----------------------

Material

Cable jacket material, note	welding spark resistant
Cable jacket, material	PUR
Material contact carrier	PUR/PUR
Material contacts	Bronze/Brass
Material cover nut	Die-cast zinc/Die-cast zinc
Material grip	PUR/PUR

Double-Ended Cordsets
BCC M425-M415-3A-661-PW0534-006
Order Code: BCC0C0N



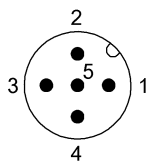
Mechanical data

<p>Acceleration max., drag chain 5 m/s²</p> <p>Cable jacket, color black</p> <p>Cable length L 0.60 m</p> <p>Cable properties drag chain compatible</p>	<p>Horizontal travel permitted, drag chain 5 m</p> <p>Tightening torque pigtail 0.6 Nm/0.6 Nm</p> <p>Traverse speed max., drag chain 200 m/min</p> <p>Vertical travel permitted, drag chain 2 m</p>
--	---

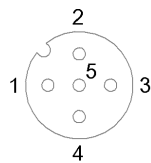
Remarks

Cable construction acc. to UL-AWM Style 20549
 Halogen-free per DIN VDE 0472 Part 815
 Silicone-free
 Flame resistance per UL FT2
 Enclosure rating per IEC 60529 or 20653, only in screwed state with the associated mating piece.

Connector Drawings

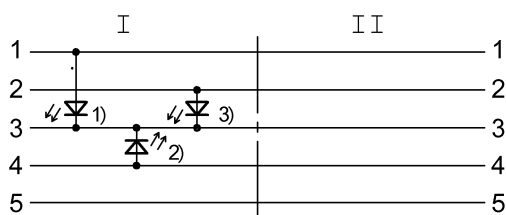


II
 PIN 1: brown
 PIN 2: white
 PIN 3: blue
 PIN 4: black
 PIN 5: green/yellow



I
 PIN 1: brown
 PIN 2: white
 PIN 3: blue
 PIN 4: black
 PIN 5: green/yellow

Wiring Diagrams



- 1) Green LED = Power
- 2) Yellow LED = Function
- 3) LED white = Function